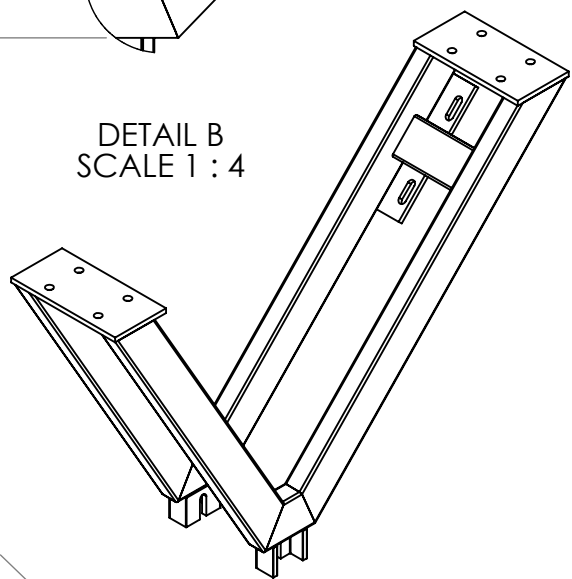
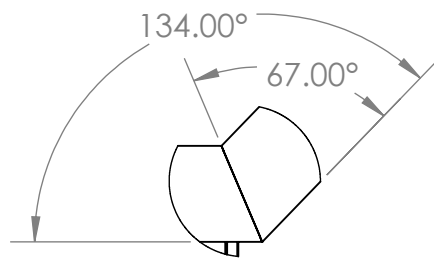
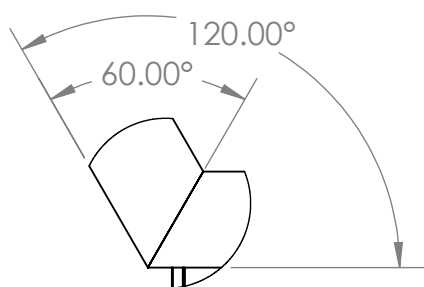
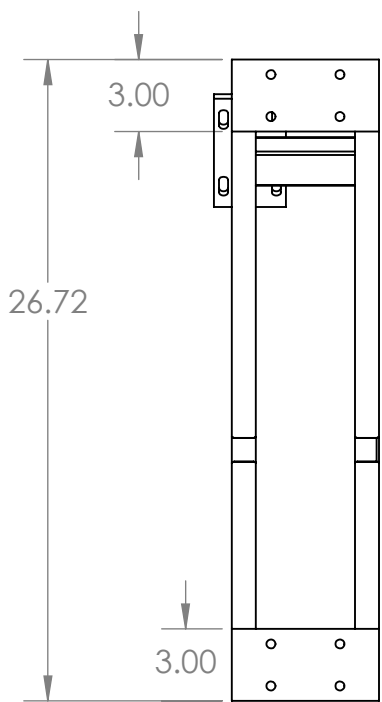


2

1

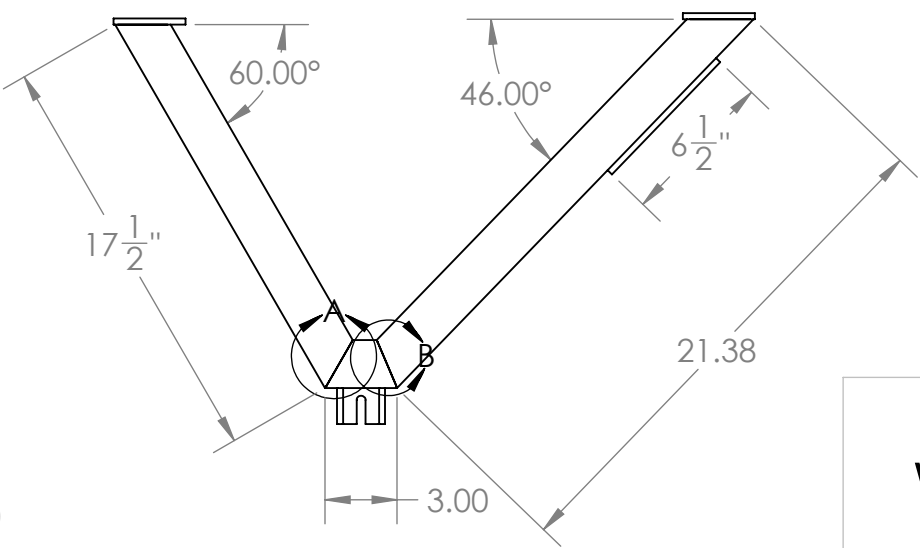
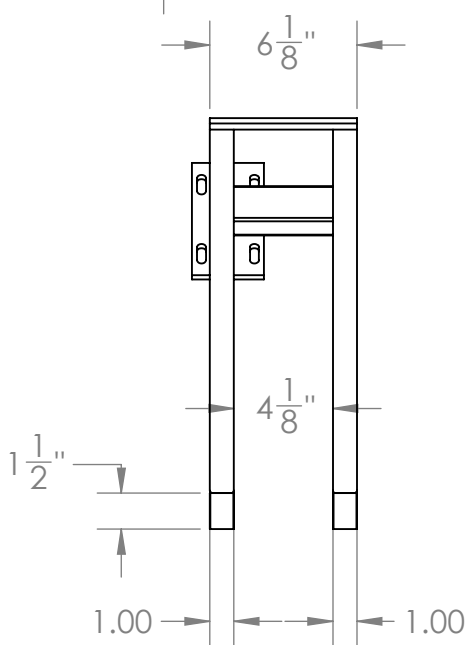
B

B



A

A



Front
Wheel Mount

SCALE: 1:10 UNITS: INCH SHEET 1 OF 11

2

1

2

1

Right Mount

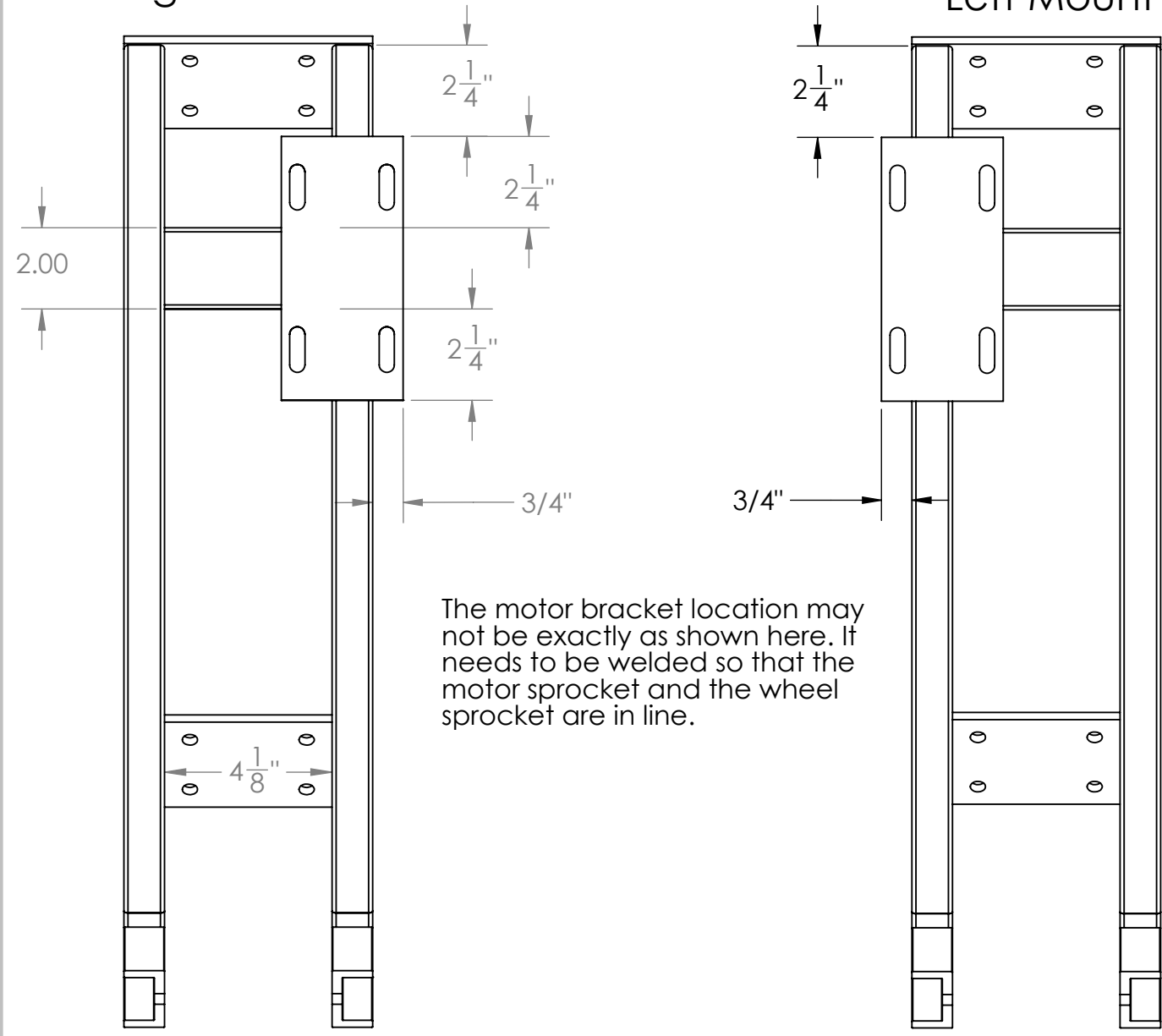
Left Mount

B

B

A

A

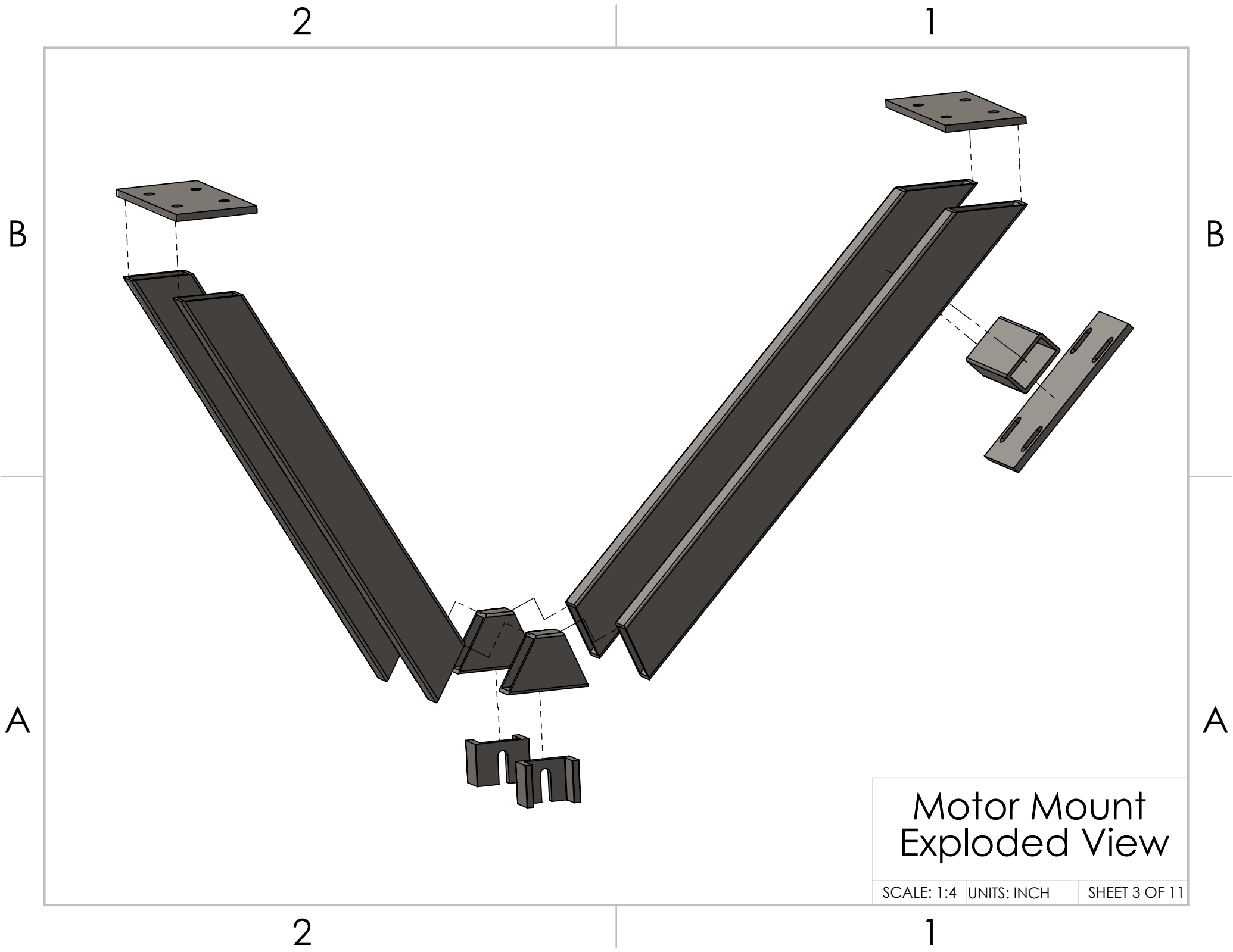


The motor bracket location may not be exactly as shown here. It needs to be welded so that the motor sprocket and the wheel sprocket are in line.

Motor Mount Normal View

2

1



Motor Mount Exploded View

SCALE: 1:4 UNITS: INCH SHEET 3 OF 11

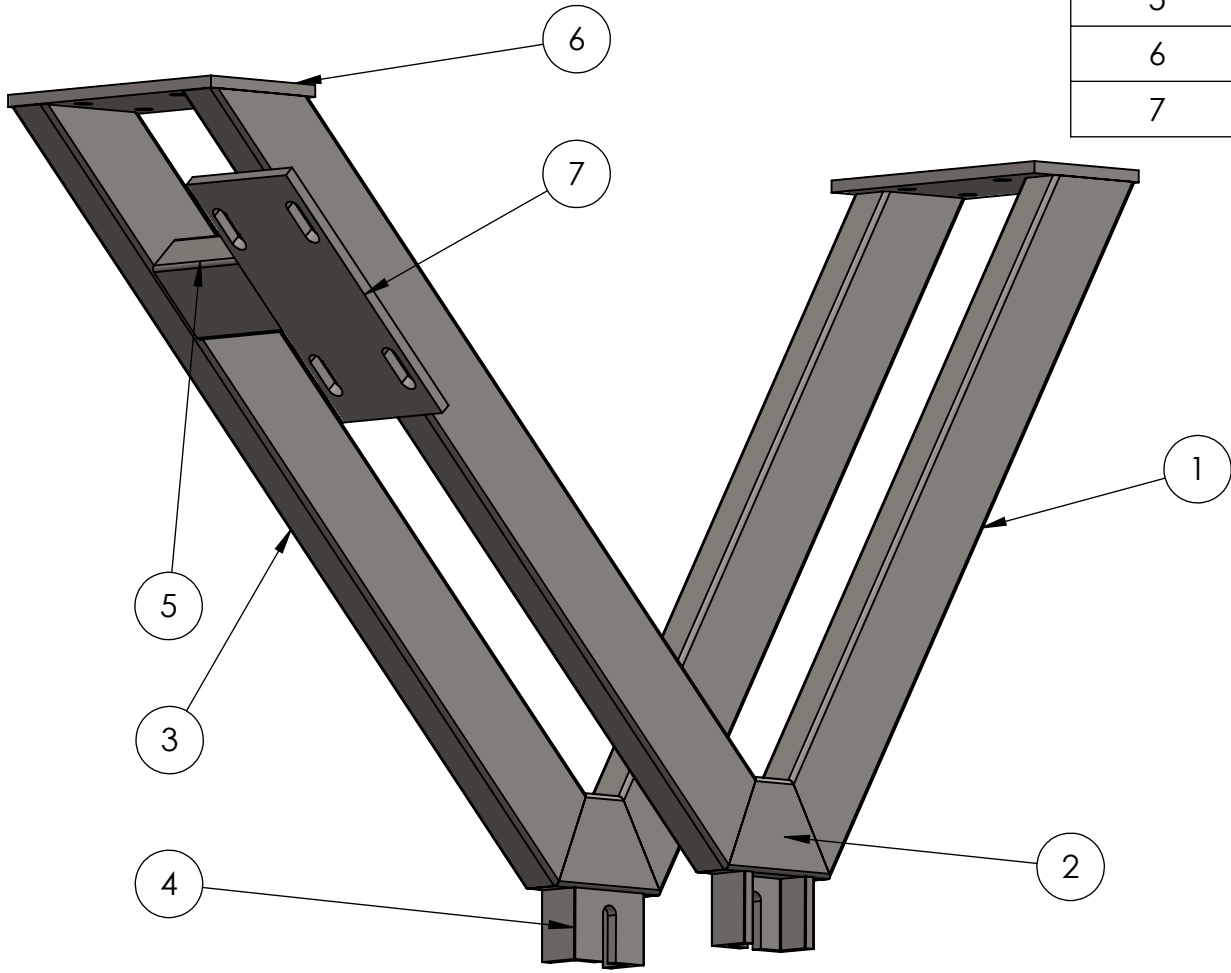
2

1

ITEM NO.	PART NUMBER	QTY.
1	1x2_RecTube_Downbar2	2
2	1x2_RecTube_WheelSupport	2
3	1x2_RecTube_Downbar_back	2
4	2x1x1.5_Uchannel	2
5	1x2_RecTube_Brace	1
6	3x6Plate	2
7	MotorMount	1

B

B



A

A

2

1

**Motor Mount
Bill of Materials**

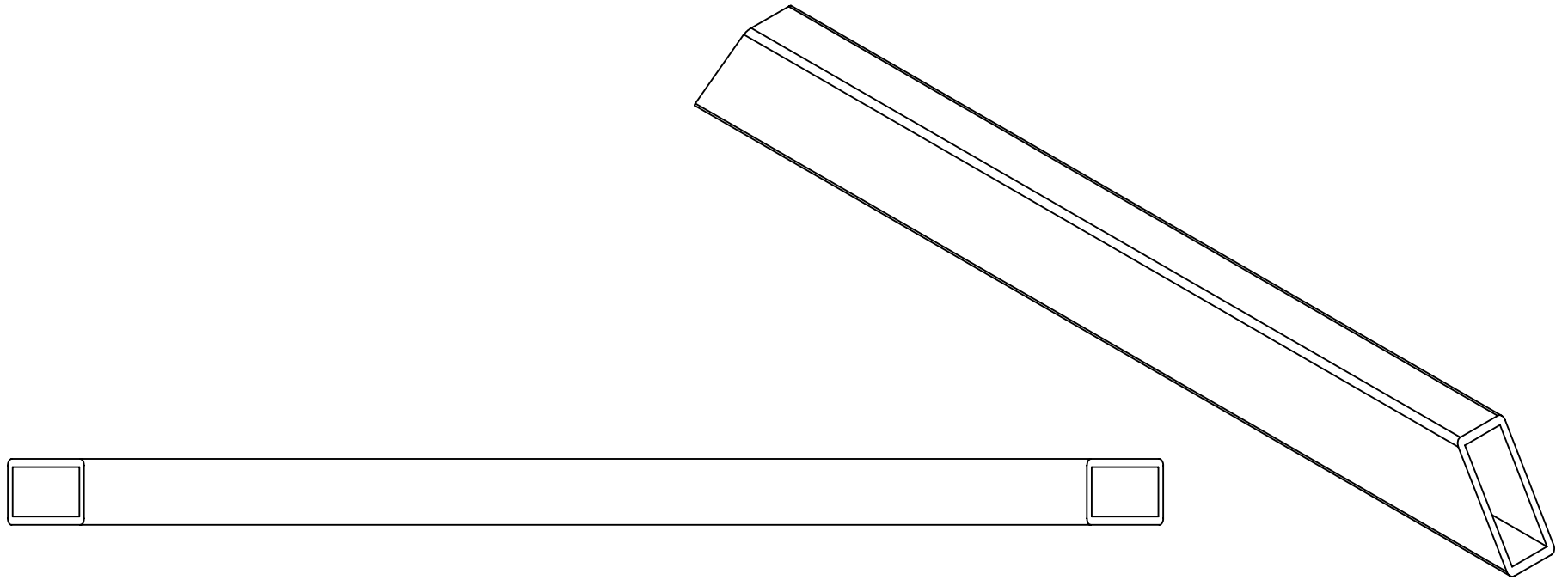
SCALE: 1:4 UNITS: INCH SHEET 4 OF 11

2

1

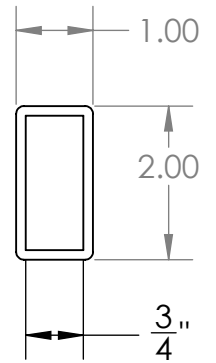
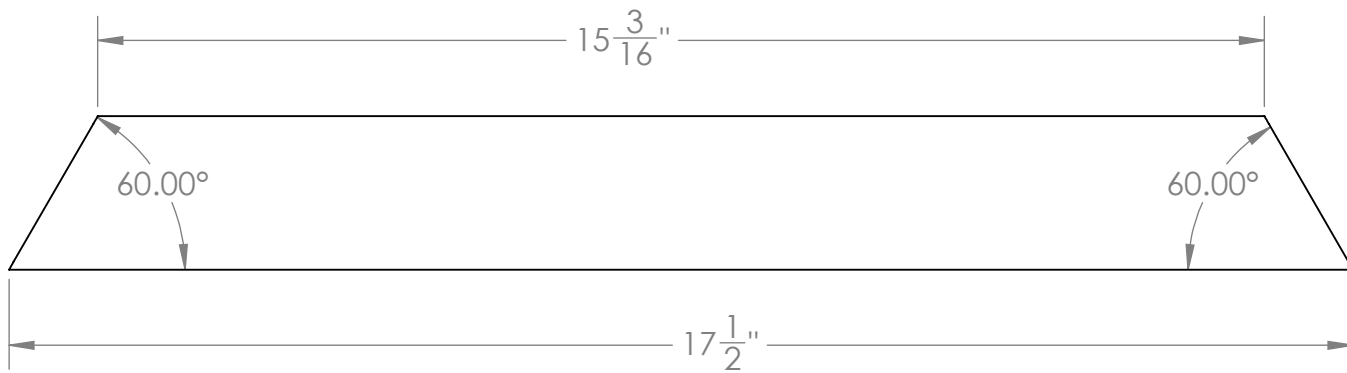
B

B



A

A



1x2_RecTube_Downbar2

SCALE: 1:2.5UNITS: INCH

SHEET 5 OF 11

2

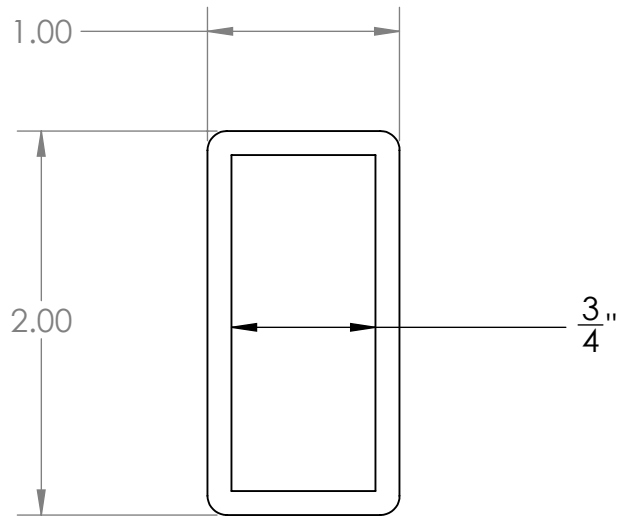
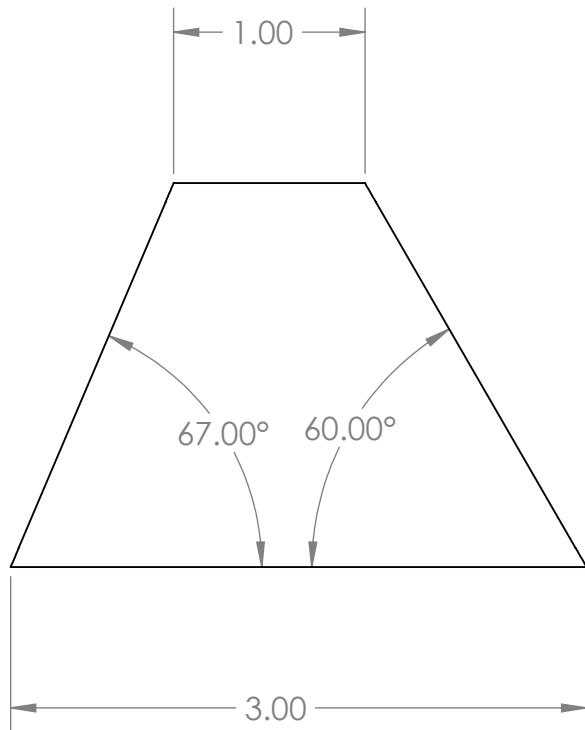
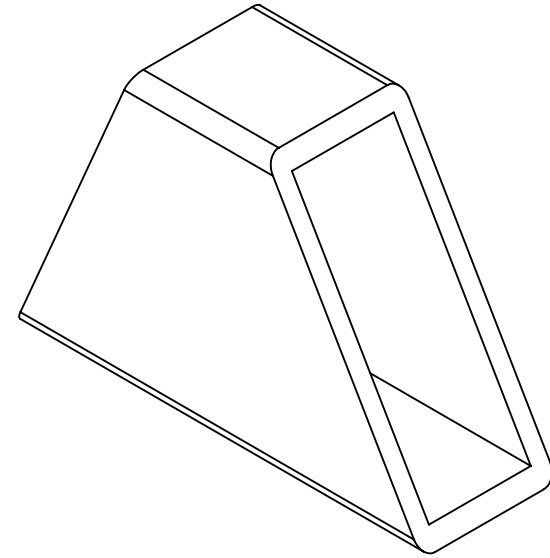
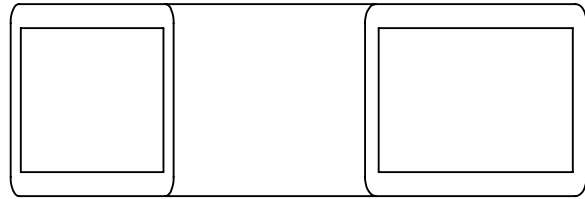
1

2

1

B

B



A

A

1x2_RecTube_WheelSupport

SCALE: 1:1 | UNITS: INCH | SHEET 6 OF 11

2

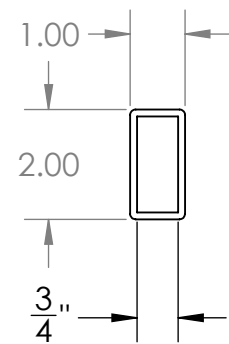
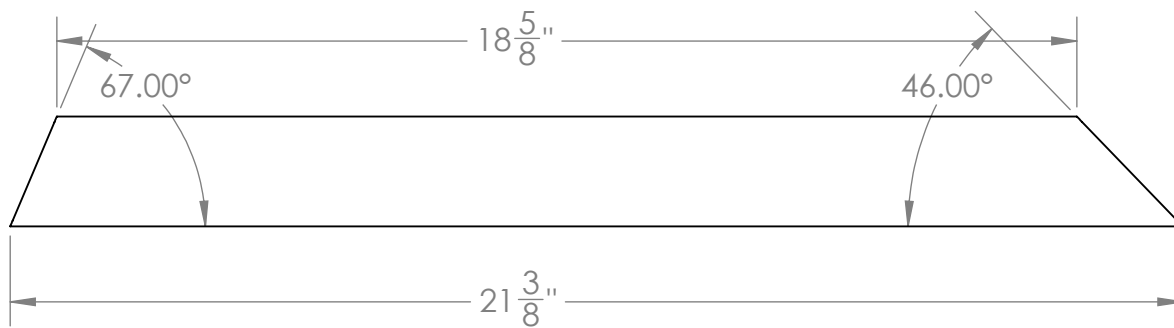
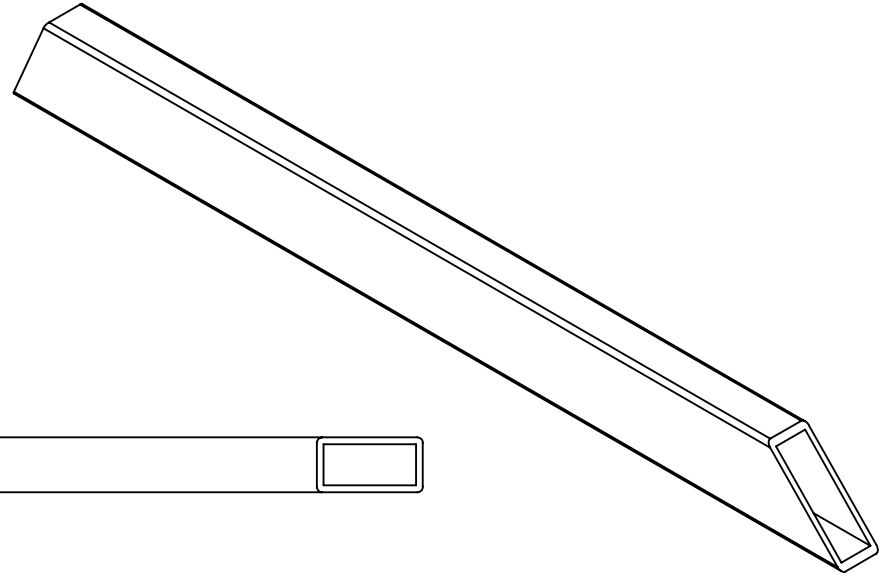
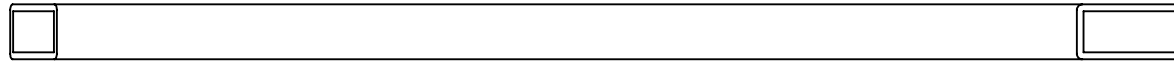
1

2

1

B

B



A

A

1x2_RecTube_Downbar_Back

SCALE: 1:3.5UNITS: INCH

SHEET 7 OF 11

2

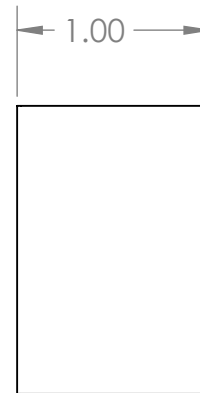
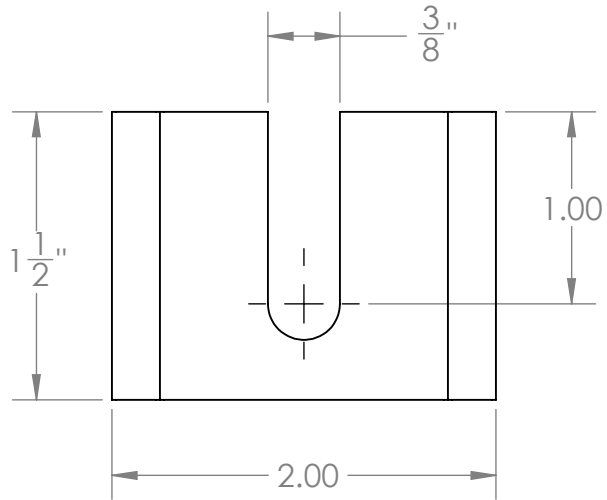
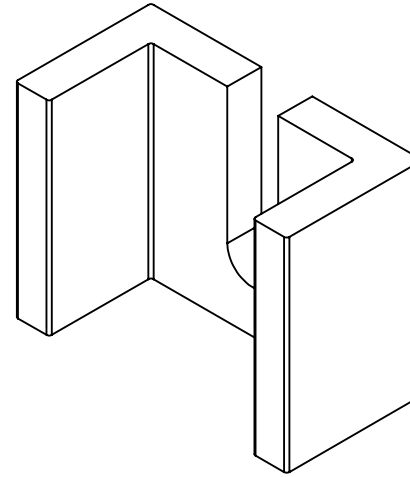
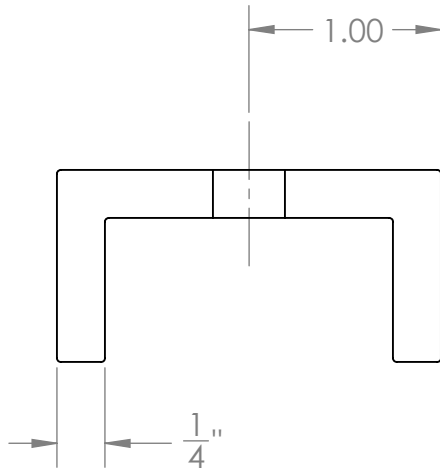
1

2

1

B

B



A

A

2

1

2x1x1.5_Uchannel

SCALE: 1:1

UNITS: INCH

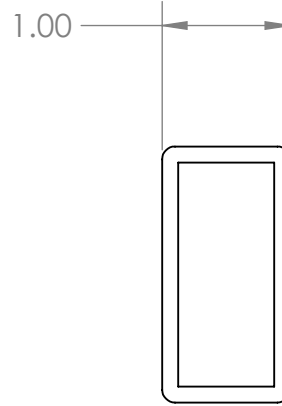
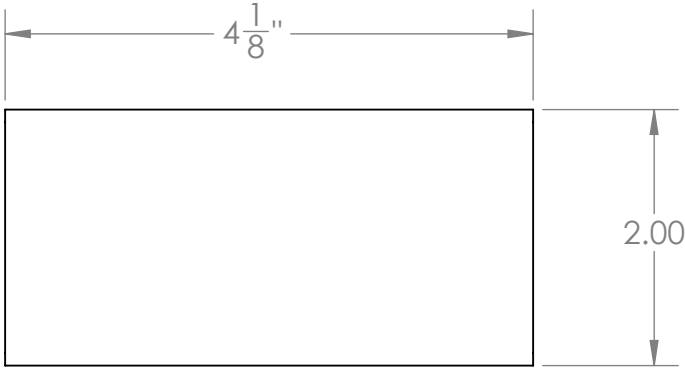
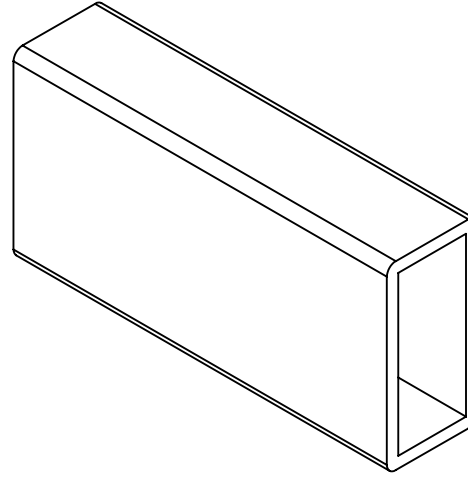
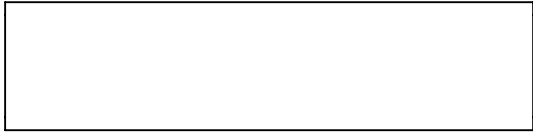
SHEET 8 OF 11

2

1

B

B



A

A

2

1

1x2_RecTube_Brace

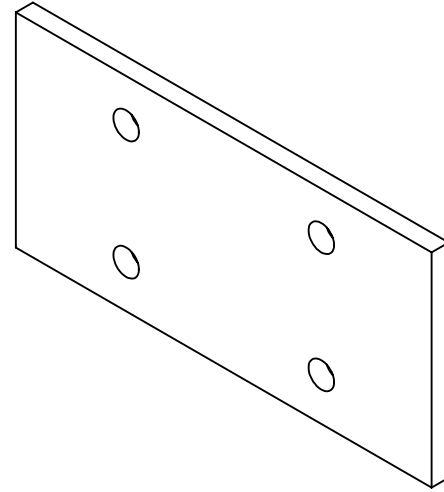
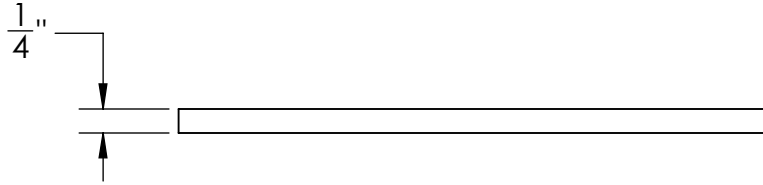
SCALE: 1:1.5	UNITS: INCH	SHEET 9 OF 11
--------------	-------------	---------------

2

1

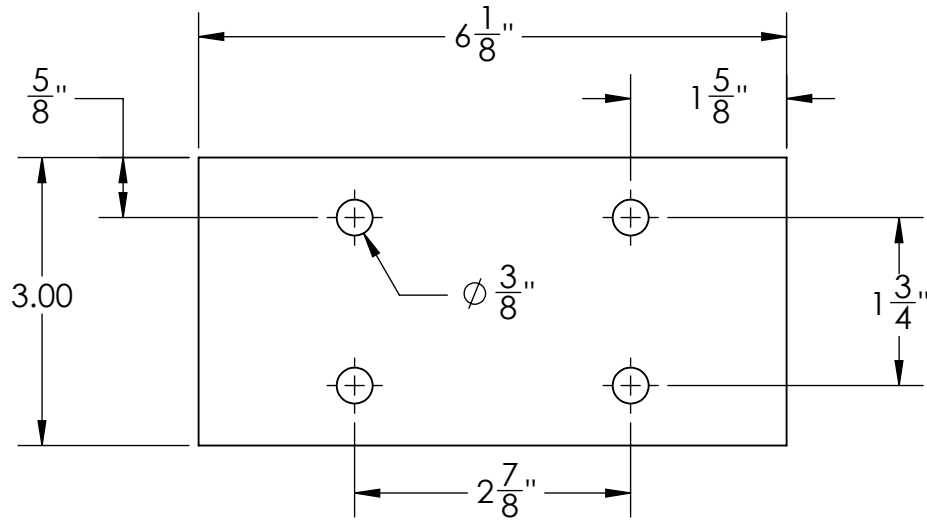
B

B



A

A



3x6Plate

UNITS: INCH

2

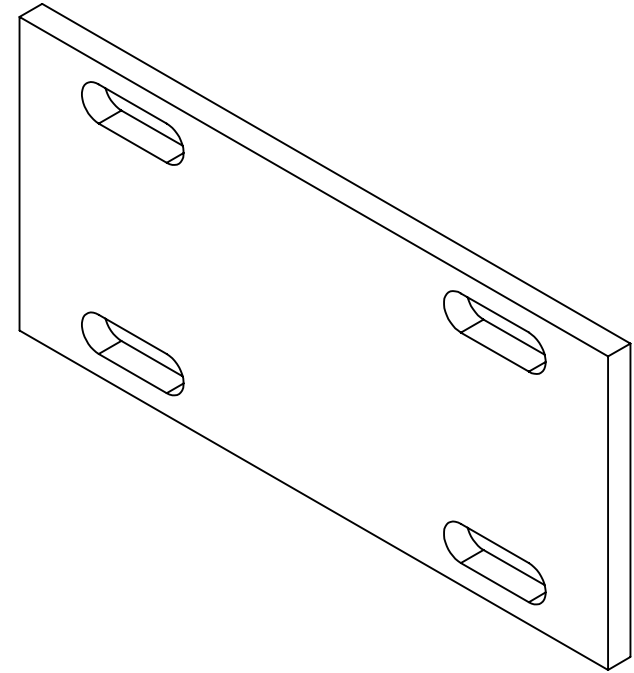
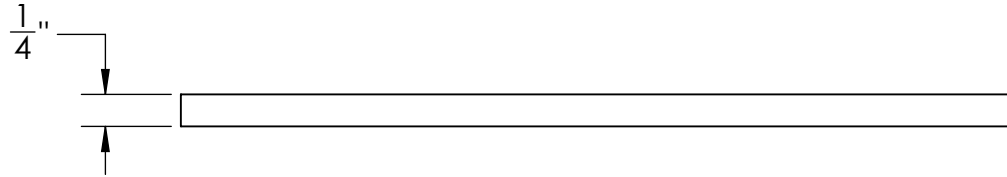
1

2

1

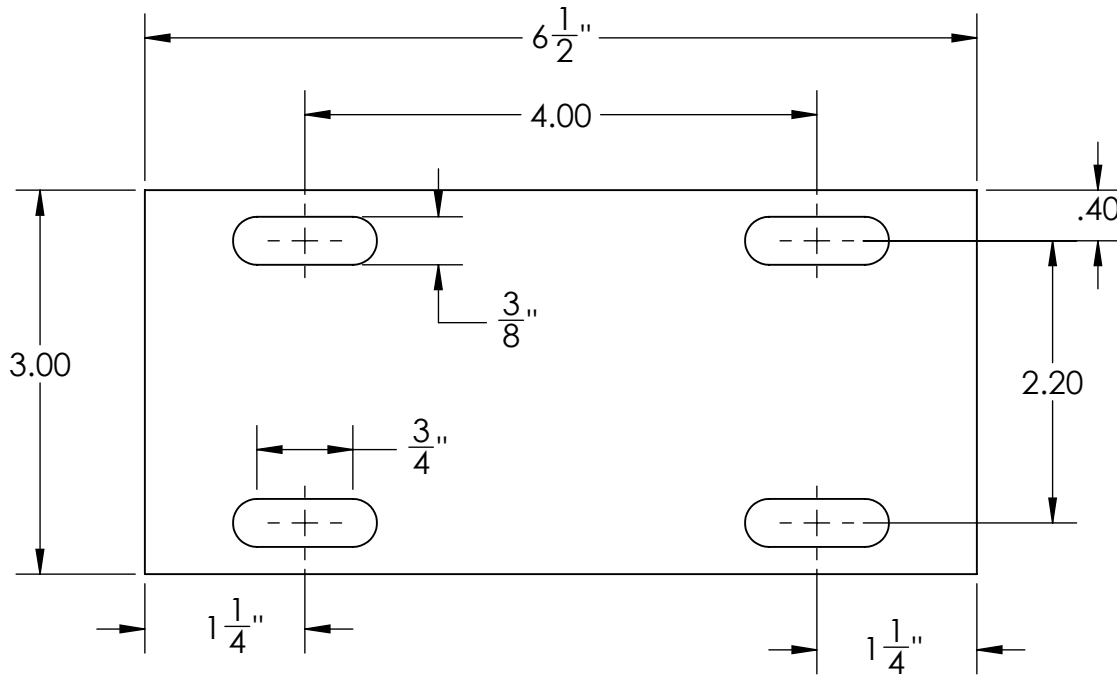
B

B



A

A



MotorMount

SCALE: 1:1.5

UNITS: INCH

SHEET 11 OF 1

2

1